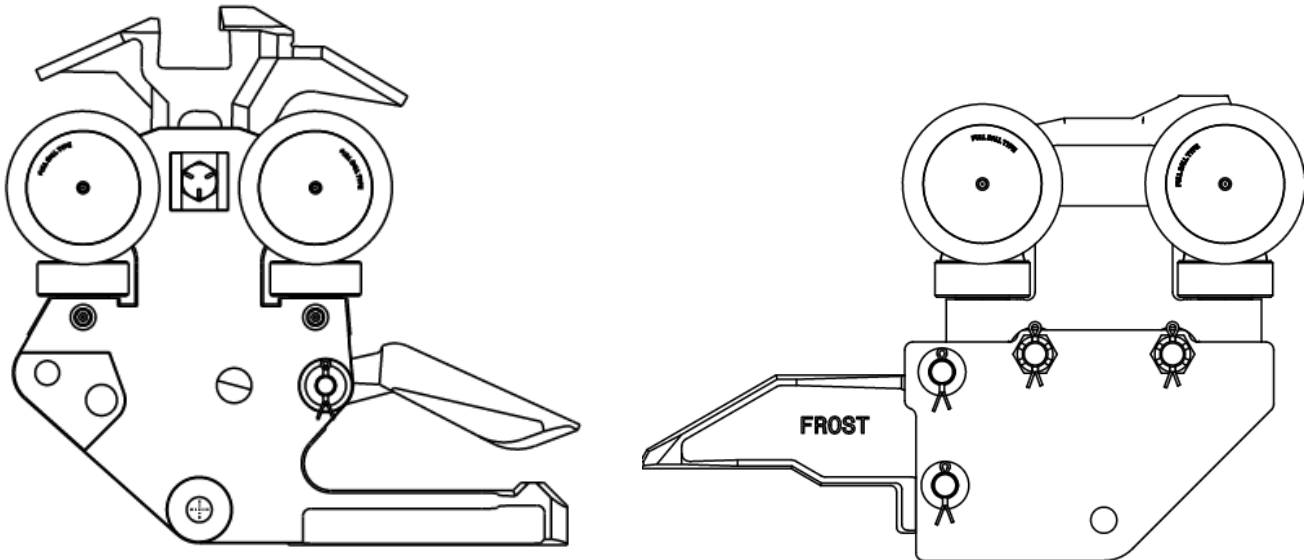


# Frost 154 Series "Wide Wing" Trolleys Compatible with WEBB 6" Systems



Frost part number 1540000. Sealed wheels.

Frost part number 1435000. Sealed wheels.

## Don't See What You Need?

Frost recognizes that all systems are unique. We are well positioned to modify our trolleys to meet your system configuration. We can add different size tripper bars, side plates, multiple types of grease and any other modifications that you need. Our engineers have not only the experience but also the creativity to help address your most challenging problems. We look forward to working with you on your next project.

Call 800.783.6633 or email [sales.frost@frostinc.com](mailto:sales.frost@frostinc.com)

## 143 and 154 Series Design Criteria

Maximum Speed	Maximum Load per trolley	Minimum Roller Turn Radi	Maximum Incline/Decline Angle	Minimum Incline/Decline Angle	Leading Trolley Est. Weight	Trailing Trolley Est. Weight	Intermediate Trolley Est. Weight
70 FPM (21 M/Min)	4,000 lbs. 1,814 kg	30 in. (0.80 M)	30°	8 Ft. (2.5 M)	100 lbs. (45 kg)	78 lbs. (34 kg)	70 lbs. (32 kg)



**Frost Inc.**

2020 Bristol NW  
Grand Rapids, MI 49504 USA  
telephone: +1.800.783.6633 | fax: +1.616.453.2161 | [www.frostinc.com](http://www.frostinc.com) | [frost.sales@frostinc.com](mailto:frost.sales@frostinc.com)

## Frost Six Inch 143 and 154 Series



# Overhead Power and Free Trolleys Compatible with WEBB Six Inch Systems

Frost Inc. is a full service design, engineering, and manufacturing company. Frost Inc. has been in existence since 1915 and is the industry leader for power and free conveyor system components. We are an American company that has remained in the same family for over 100 years and is in the 4th generation of family leadership. Our customers know that Frost Inc. is synonymous with customer focused solutions, quality products, and excellent attention to detail.

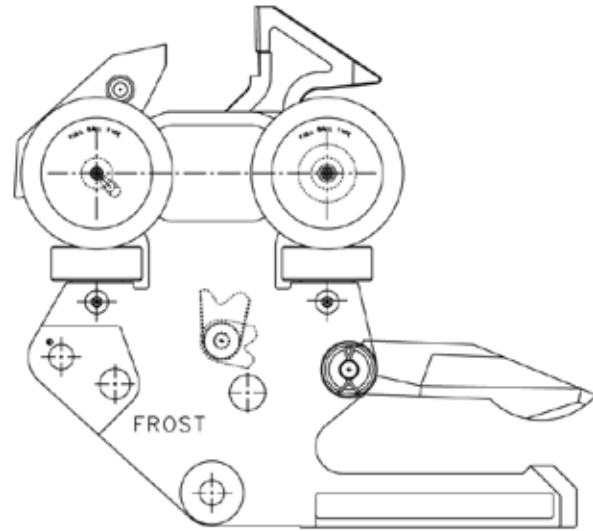


**Frost Inc.**

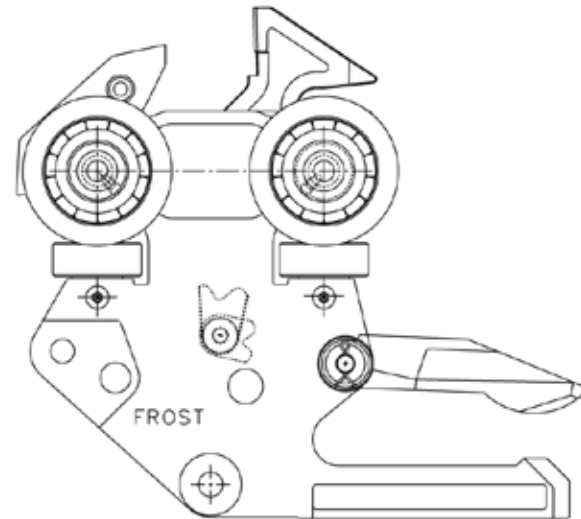
2020 Bristol NW  
Grand Rapids, MI 49504 USA  
telephone: +1.800.783.6633 | fax: +1.616.453.2161 | [www.frostinc.com](http://www.frostinc.com) | [frost.sales@frostinc.com](mailto:frost.sales@frostinc.com)

# Frost 143 Series “Narrow Dog” Compatible with WEBB 6” Systems

## 6” Leading Trolley Wheel Options

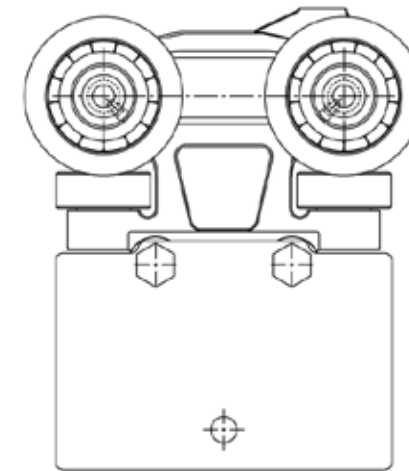


Frost part number 1430000. Sealed wheels.

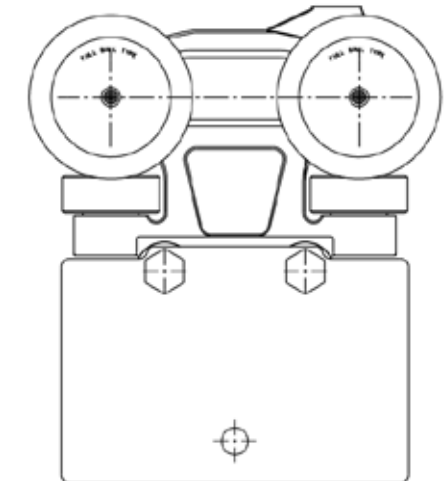


Frost part number 1433100. Open wheels.

## 6” Intermediate Free Trolley Wheel and Side Plate Options for the Frost 143 and 154 Series

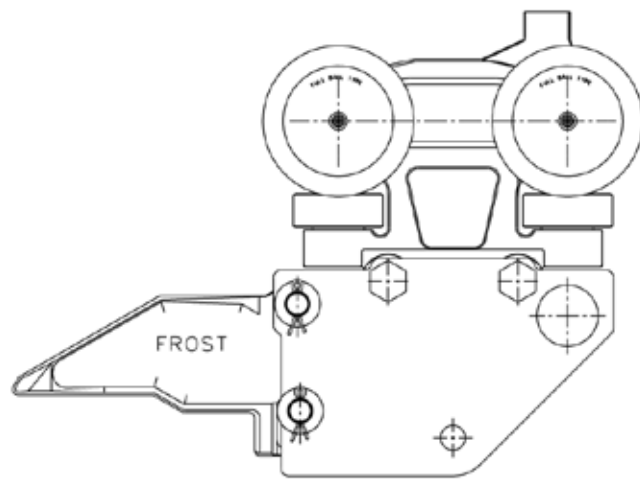


Frost part number 1431400. Open wheels.

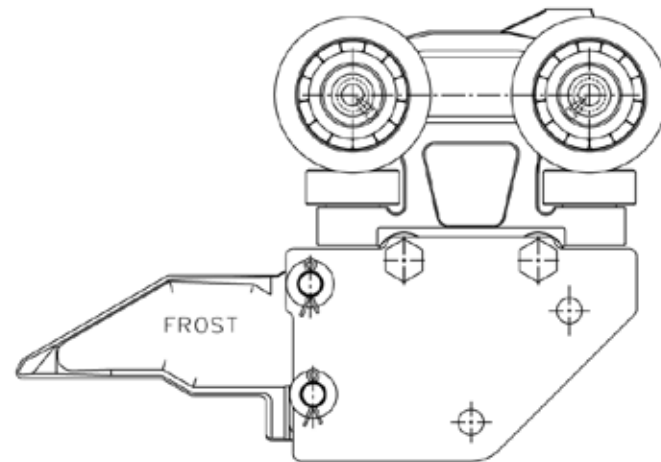


Frost part number 1432000. Sealed wheels.

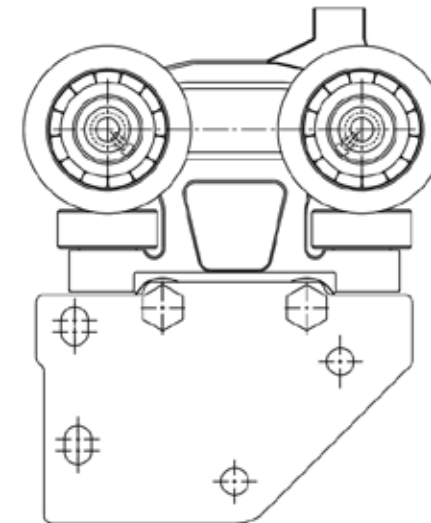
## 6” Trailing Free Trolley Wheel Options



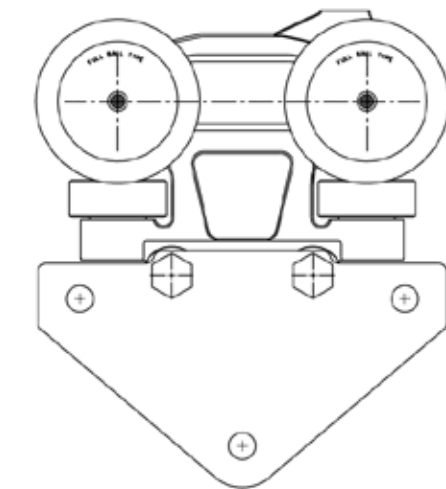
Frost part number 1431500. Sealed wheels.



Frost part number 1431200. Open wheels.



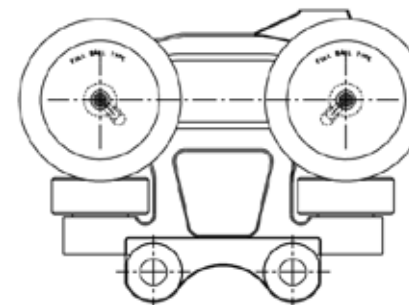
Frost part number 1431300. Open wheels.



Frost part number 1432600. Sealed wheels.

## 6” Trailing Free Trolley With Tripper Bars

Frost Part Number	Tripper Bar	Tripper Bar Length	FBC	Sealed	Open/Open	Left Hand	Right Hand
1438500	X	6.5”	X	X		X	
1438000	X	6.5”	X	X			X
1431100	X	6.5”	X		X		X



Frost part number 1432100. Sealed wheels.

### Don't See What You Need?

Frost recognizes that all systems are unique. We are well positioned to modify our trolleys to meet your system configuration. We can add different size tripper bars, side plates, multiple types of grease and any other modifications that you need. Our engineers have not only the experience but also the creativity to help address your most challenging problems. We look forward to working with you on your next project.

Call 800.783.6633 or email [sales.frost@frostinc.com](mailto:sales.frost@frostinc.com)