



Frost Inc.TM

2020 Bristol Ave. NW

Grand Rapids MI 49504 USA

telephone: +1.800.783.6633 | fax: +1.616.453.2161 | www.frostinc.com | frost.sales@frostinc.com



Convert Your Buschman Cable System to a X-248 Chain and Trolley System

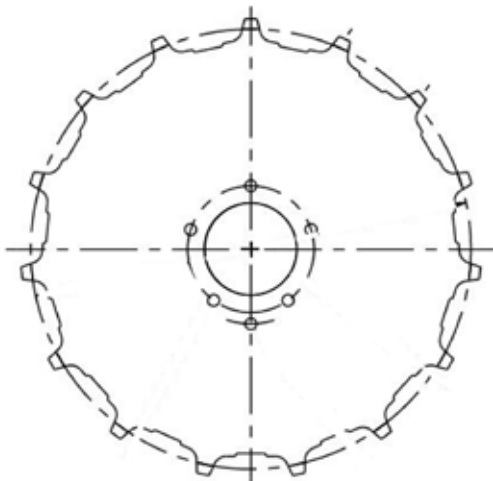
Frost Inc. X-248 Chain and Trolley System Compared to the Buschman Cable System

- Uses the existing Buschman 1 ¼ inch T-Rail.
- Replaces existing segment lugs of idler lugs with traction wheel rim (uses existing plates and bearings).
- Replaces existing drive plate and segment lugs with a X-248 plate socket (uses existing shear pin hub).

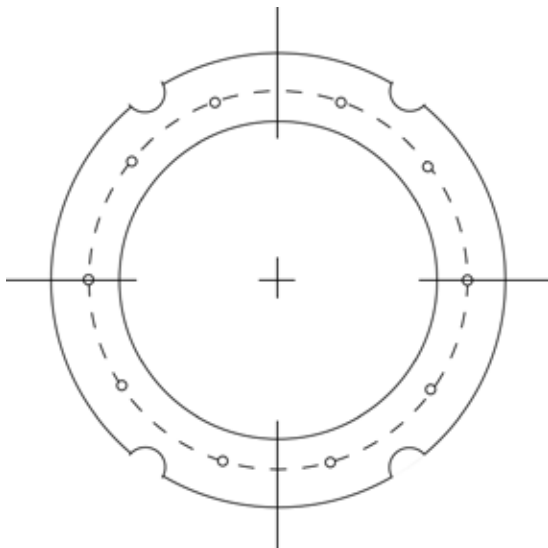


- More teeth engage the chain than the segment lugs of a cable drive. This helps increase the pull capacity, and increases the life of the chain.
- The existing hooks can be re-used.
- Hooks can be placed on 4, 8, or 12 inch centers.

Frost Inc. X-248 Chain and Trolley System Value



**15 Tooth Sprocket
X-248 Chain Conveyor**



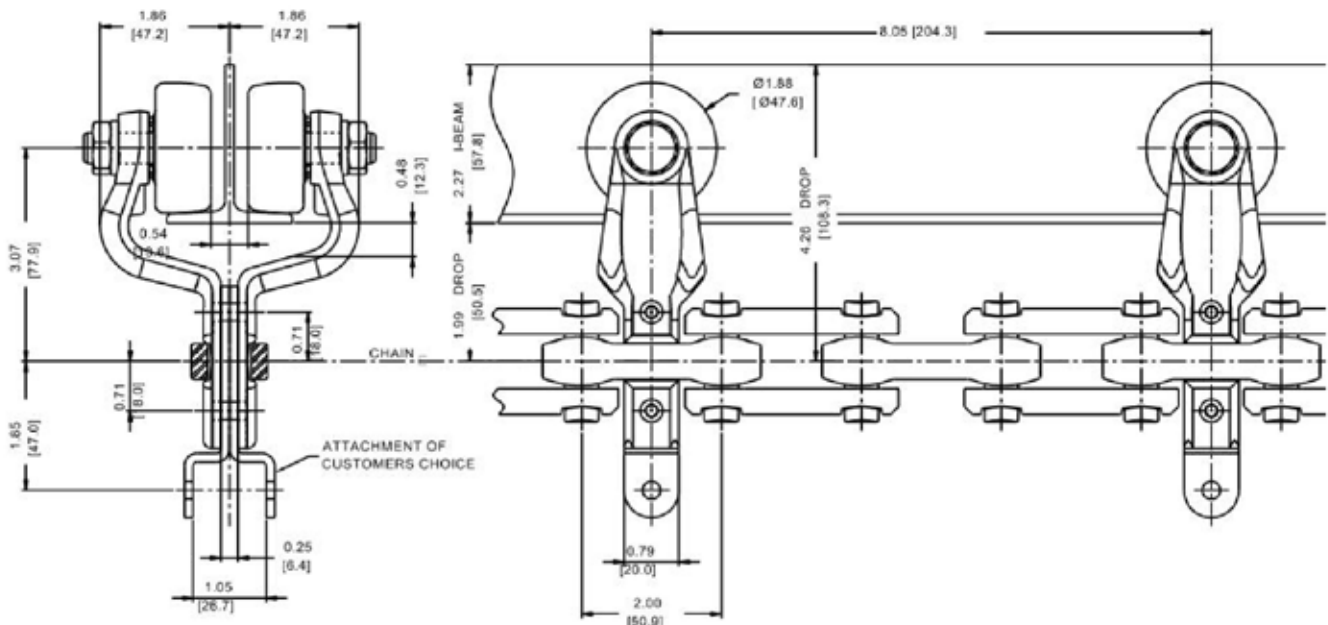
**5 Gap Traction Wheel Disc
X-248 Chain Conveyor**

- Replacement of a 2 inch link or pin is a lower cost than a 12 inch section of cable.
- The minimum vertical curve is 3 foot radius for the X-248.
- The minimum horizontal turn is 18 inch diameter.
- The minimum ultimate chain strength for the X-248 chain is 22,000 lbs* compared to 14,000 lbs** for the Buschman cable system.
- The Frost X-248 chain will outlast the Buschman cable system by a ratio of 2 to 1 (with proper lubrication).

*Minimum ultimate strength

** Average ultimate strength

Dimensions for the X-248 Chain Conveyor





Frost Inc.TM

2020 Bristol Ave. NW

Grand Rapids MI 49504 USA

telephone: +1.800.783.6633 | fax: +1.616.453.2161 | www.frostinc.com | frost.sales@frostinc.com